



Bending Beam Load Cell

VB Series

The VB Series is a compact, high performance, strain gage load cell constructed of heat treated steel or stainless steel. The VB Series is designed to accurately measure compression loads ranging from 0-25 lbs. to 0-500 lbs.



The VB Series is a compact, high performance, bonded foil strain gage load cell constructed of heat treated steel or stainless steel. The VB Series is designed to accurately measure compression loads in capacities ranging from 0-25 lbs. to 0-500 lbs. The dual-guided cantilever design yields exceptional performance in a very compact package. The steel (VB1) version is Environmentally Sealed (IP67-Low Pressure Jets) and the stainless steel (VB3) version is Harsh Environment Sealed (IP65-Low Pressure Jets), using proprietary, multi-redundant environmental barriers, to protect the strain gage area and the cable entry, both high failure mode areas in competitive versions of this load cell. The integral cable is durable PE/PVC jacketed and features a braided, tinned-copper shield for mechanical protection and to minimize the effects of common industrial electrical noise, e.g. RFI and EMI. Versatile companion weigh modules include the MB1 Series (steel) and the MB3 Series (stainless steel) are available for convenient weighing of tanks, bins, hoppers and similar vessels. The attributes of the VB Series make it an ideal choice for reactor, mixer and blender weighing, material handling, packaging, process applications and O.E.M. weighing situations where a well sealed, versatile, high performance load cell solution is needed.

APPLICATIONS

- Compression Measurements
- Process Control Weighing
- Belt and Bagging Scales
- Tank, Bin and Hopper Weighing
- Reactor, Mixer and Blender Weighing
- OEM and VAR Solutions

FEATURES

- 25 lbs to 500 lbs Capacities
- Compact Size
- 0.03% Accuracy Class
- Steel or Stainless Steel Element
- Environmentally Sealed-IP67
- Companion Weigh Modules
- Loading Accessories Available
- Two Year Warranty



For more information call **1-888-545-8988**

SENTRAN, LLC 4355 LOWELL STREET, ONTARIO, CA 91761, U.S.A.
888-545-8988 T: 909-605-1544 FAX: 909-605-6305 www.sentranllc.com

VB Series Specifications

Innovative Measurement Solutions



PERFORMANCE

Rated Capacities ⁽¹⁾ (lbs.)	25, 50, 100, 150, 250, 500
Rated Output (FSO)	3 mV/V
Output Tolerance	±0.25 % R.O.
Combined Error Band	≤ 0.03 % FSO
Non-Linearity	≤ 0.03 % FSO
Hysteresis	≤ 0.02 % FSO (VB1) ≤ 0.05 % FSO (VB3)
Non-Repeatability	≤ 0.01 % FSO
Zero Balance	± 1.0 % FSO
Creep (20 Minutes)	0.03 % of Load

MECHANICAL

Material	Alloy tool steel (VB1) 17-4ph Stainless Steel (VB3)
Finish	Electroless Nickel Plated (VB1) Natural (VB3)
Safe overload	Compression 150 % FSO Side Load 30% FSO
Ultimate overload	Compression 300% FSO Side Load: 50% FSO
Deflection	See Dimensions Page
Weight	See Dimensions Page
Mounting Bolt Torque	Torque Table

ELECTRICAL

Input Impedance	415 ± 35 ohms (VB1), 350 ± 50 ohms (VB3)
Output Impedance	352 ± 3 ohms
Insulation Resistance	>5000 Megohms
Excitation Voltage	10 V AC/DC (15 V maximum)
Cable Color Code	+ Excitation (red) - Excitation (black) + Signal (green) - Signal (white) Shield (natural)
Cable Type	4-conductor, 22 AWG, Polyurethane jacket, Tinned Copper Braid, Diameter: 0.200" (VB1) 0.220 (VB3)
Cable Length	See Dimensions Table
Cable Termination	Finished Conductors
Cable Seal	Epoxy (VB1), Compression Gland Fitting (VB3)

MECHANICAL

Temperature, Operating	0 to +150 °F (-18 to +65°C)
Temperature, Compensated	14 to +104 °F (-10 to +40°C)
Temperature, Storage	-60 to +185 °F (-50 to +85°C)
Temperature Effects	Zero < 0.015% FSO/°F < 0.0026% FSO/°C
Temperature Effects	Output < 0.0008% of Rdg./°F < 0.0014% Rdg./°C
Sealing Rating	IP65; Multi-redundant; Low Pressure Resistant (VB1), IP67; Multi-redundant; Limited Immersion Tolerance (VB3)
FM Approval (VB1)	
Intrinsically Safe:	Class I, II, III; Div.1 Groups A-G
Non-Incendive:	Class 1; Div.2 Groups A-D

VB Typical System Configuration

SENSING LOAD CELL(S)



SIGNAL CONDITIONING

Analog Transmitters



Serial Transmitters



Digital Indication



Process Control



Batch Control

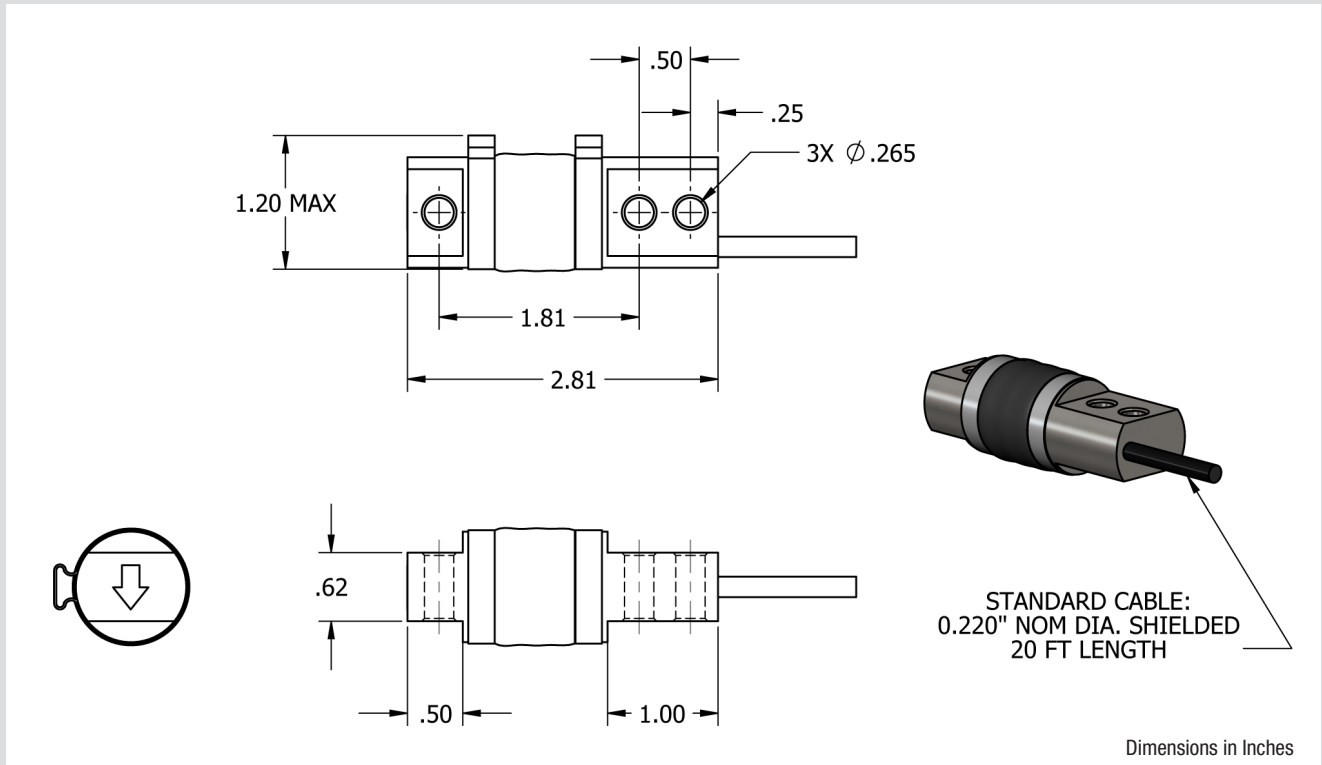


Data Acquisition



OUTPUT OPTIONS

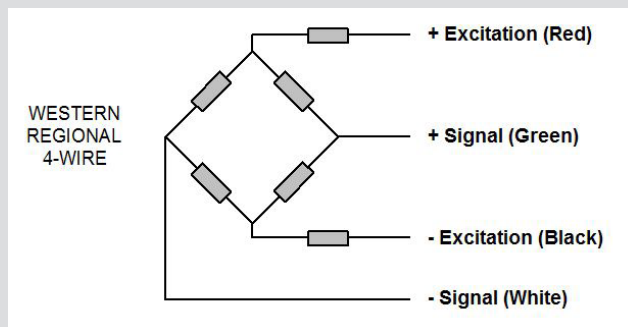
- 0-5 VDC
- 0-10VDC
- ±5 VDC
- ±10 VDC
- 4-20 mA
- 0-20 mA
- RS-232
- RS-422
- RS-485
- 20 mA Serial Loop
- Ethernet
- Profibus DP
- DeviceNet
- CANopen
- ControlNet
- Modbus RTU
- Wireless



Capacity (LBS)	Deflect	Weight
25, 50, 75	0.008"	1.0 LB
100, 150	0.011"	1.0 LB
250	0.016"	1.0 LB
500	0.025"	1.0 LB

DIMENSIONS (INCHES)

VB Wiring Diagram



Legal Disclaimer



ALL PRODUCTS, PRODUCT SPECIFICATIONS AND DATA ARE SUBJECT TO CHANGE WITHOUT NOTICE.

Sentran, LLC, Incorporated, its affiliates, agents, and employees, and all persons acting on its or their behalf (collectively, "Sentran, LLC"), disclaim any and all liability for any errors, inaccuracies or incompleteness contained herein or in any other disclosure relating to any product. The product specifications do not expand or otherwise modify Sentran, LLC's terms and conditions of purchase, including but not limited to, the warranty expressed therein. Sentran, LLC makes no warranty, representation or guarantee other than as set forth in the terms and conditions of purchase. To the maximum extent permitted by applicable law, Sentran, LLC, disclaims (i) any and all liability arising out of the application or use of any product, (ii) any and all liability, including without limitation special, consequential or incidental damages, and (iii) any and all implied warranties, including warranties of fitness for particular purpose, non-infringement and merchantability. Information provided in datasheets and/or specifications may vary from actual results in different applications and performance may vary over time. Statements regarding the suitability of products for certain types of applications are based on Sentran, LLC's knowledge of typical requirements that are often placed on Sentran, LLC products. It is the customer's responsibility to validate that a particular product with the properties described in the product specification is suitable for use in a particular application. No license, express, implied, or otherwise, to any intellectual property rights is granted by this document, or by any conduct of Sentran, LLC. The products shown herein are not designed for use in life-saving or life-sustaining applications unless otherwise expressly indicated. Customers using or selling Sentran, LLC products not expressly indicated for use in such applications do so entirely at their own risk and agree to fully indemnify Sentran, LLC for any damages arising or resulting from such use or sale. Please contact authorized Sentran, LLC personnel to obtain written terms and conditions regarding products designed for such applications. Product names and markings noted herein may be trademarks of their respective owners.



SENTRAN

SENTRAN, LLC

4355 LOWELL STREET
ONTARIO, CA 91761-2225, U.S.A.
T: 909-605-1544 F: 909-605-6305

www.sentranllc.com

Innovative Measurement Solutions

