

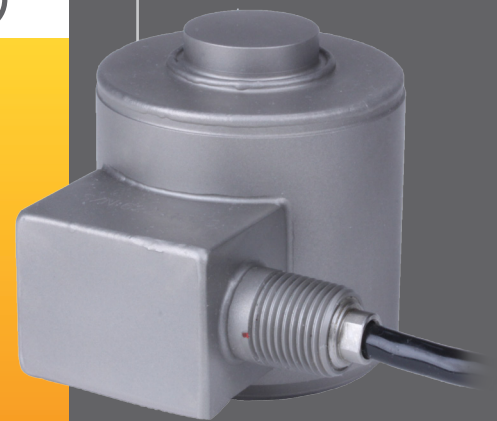


Precision Canister Load Cell

QA Series

The QA Series is a high performance, compact, strain gage load cell constructed of stainless steel. The QA Series is designed to accurately measure compression forces ranging from 0-10,000 lbs. to 0-500,000 lbs.

The QA Series is a high performance, compact, bonded foil strain gage load cell constructed of stainless steel. The QA Series is designed to accurately measure compression forces in capacities ranging from 0-10,000 lbs. to 0-500,000 lbs. The multiple column sensing design and precision ground base combine to produce excellent performance in a very compact size, with reduced sensitivity to eccentric and side loading effects.) This load cell is available as Harsh Environment Sealed (IP67-Limited Immersion) and Hostile Environment Sealed (IP66-High Pressure Jets) by virtue of proprietary, multi-redundant barriers uniquely integrated to protect all internal components. The QA is elctro-polished for corrosion resistance. The attached cable is a durable polyurethane-jacketed cable with a tinned-copper braided shield for mechanical protection and to minimize the effects of RFI and EMI. Optional cable assemblies are available with mating connectors, including durable polyurethane or Teflon® jacketed cables. Options include surface ground mounting plates and weigh module assemblies. The attributes of the QA Series make it ideal for weight measurements where a rugged, low profile precision load cell solution is needed.



APPLICATIONS

- Compression Measurements
- Washdown/Corrosive Environments
- Process Control Weighing
- Vehicle Scales
- Tank Weighing
- Reactor, Mixer and Blender Weighing

FEATURES

- 10,000 lbs To 500,00 lbs Capacities
- Compact Size
- 0.03% Accuracy Class
- Stainless Steel Design
- Welded, Hermetic Sealing
- Environmentally Sealed-IP66/67
- Companion Weigh Modules
- Two Year Warranty



For more information call **1-888-545-8988**

SENTRAN, LLC 4355 LOWELL STREET, ONTARIO, CA 91761, U.S.A.
888-545-8988 T: 909-605-1544 FAX: 909-605-6305 www.sentranllc.com

QA Series Specifications

Innovative Measurement Solutions



PERFORMANCE

Rated Capacities ⁽¹⁾ (lbs.)	10K, 25K, 50K, 100K, 200K, 300K, 500K
Rated Output (FSO)	2 mV/V
Output Tolerance	± 1 % R.O.
Combined Error Band	≤ 0.05 % FSO
Non-Linearity	≤ 0.05 % FSO
Hysteresis	≤ 0.05 % FSO
Non-Repeatability	≤ 0.01 % FSO
Zero Balance	± 1.0 % FSO
Creep (20 Minutes)	0.03 % of Load

⁽¹⁾ ("K" = thousand)

MECHANICAL

Material	17-4 Stainless Steel
Finish	Electro-polished
Safe overload	Compression 150 % FSO Side Load 10% FSO
Ultimate overload	Compression 300% FSO Side Load: 20% FSO
Deflection	See Dimensions Table
Weight	See Dimensions Table
Mounting Bolt Torque	Torque Table

ELECTRICAL

Input Impedance	450 ± 5 ohms
Output Impedance	480 ± 5 ohms
Insulation Resistance	>5000 Megohms
Excitation Voltage	10 V AC/DC (15 V maximum)
Cable Color Code	+ Excitation (green) - Excitation (black) + Signal (white) - Signal (red) Shield (orange)
Cable Type	4-conductor, 22 AWG, Polyurethane Jacket, Tinned Copper Braid, Diameter: 0.295"
Cable Length	See Dimensions Table
Cable Termination	Finished Conductors
Cable Seal	Compression Gland Fitting w/1/2-14 NPT-Conduit Adapter

ENVIRONMENTAL

Temperature, Operating	-65 to +200 °F (-54 to +93°C)
Temperature, Compensated	14 to +104 °F (-10 to +40°C)
Temperature, Storage	-65 to +200 °F (-54 to +93°C)
Temperature Effects	Zero < 0.015% FSO/°F < 0.0026% FSO/°C
Temperature Effects	Output < 0.0008% of Rdg./°F < 0.0014% Rdg./°C
Sealing	IP66, Multi-redundant; High Pressure Resistant IP68; Multi-redundant; Continuous Immersion Tolerance

QA Typical System Configuration

SENSING LOAD CELL(S)



SIGNAL CONDITIONING

Analog Transmitters



Serial Transmitters



Digital Indication



Process Control



Batch Control

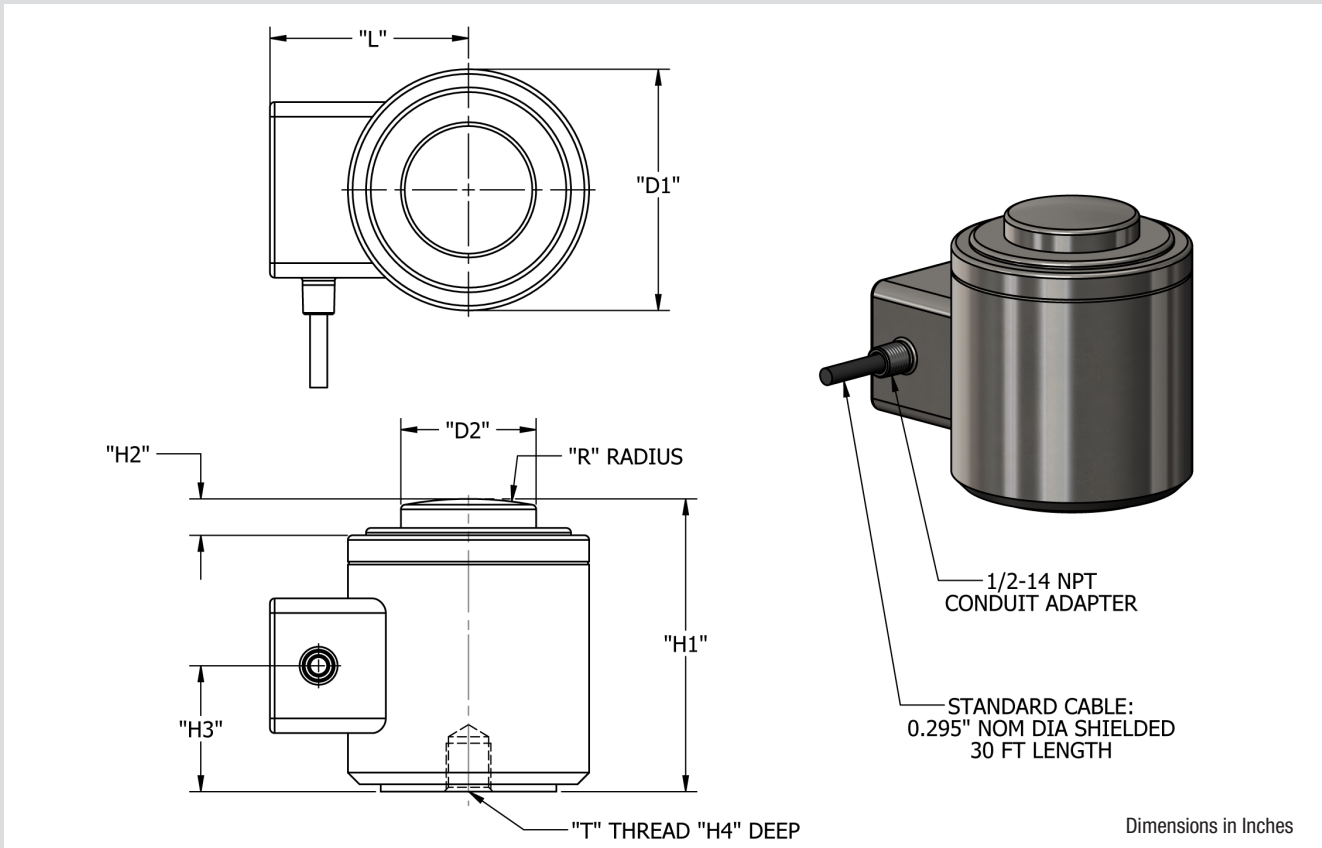


Data Acquisition



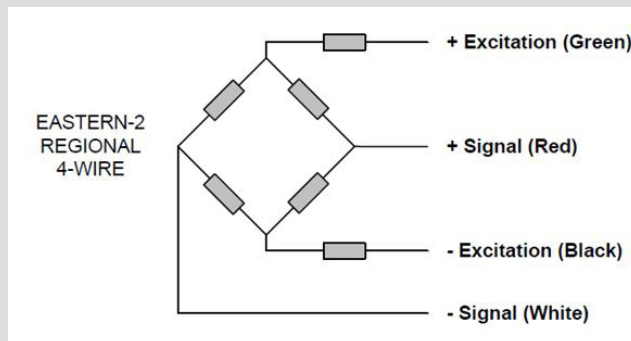
OUTPUT OPTIONS

- 0-5 VDC
- 0-10VDC
- ±5 VDC
- ±10 VDC
- 4-20 mA
- 0-20 mA
- RS-232
- RS-422
- RS-485
- 20 mA Serial Loop
- Ethernet
- Profibus DP
- DeviceNet
- CANOpen
- ControlNet
- Modbus RTU
- Wireless



Capacity (LB)	H1	H2	H3	H4	L	D1	D2	R	T	Deflect	Weight
DIMENSIONS (INCHES)											
10K, 25K, 50K	3.25	.040	1.28	0.38	2.51	2.88	1.25	6.00	1/2-20 UNF-2B	0.003"	9.0 LBS
100K	5.00	0.51	2.15	0.56	3.39	4.12	2.31	6.00	3/4-16 UNF-2B	0.006"	20.0 LBS
200K, 300K	7.25	1.04	3.63	0.75	4.26	6.00	3.13	17.00	3/4-16 UNF-2B	0.006"	60.0 LBS
500K	9.00	0.56	4.34	0.75	4.59	6.50	3.69	17.00	3/4-16 UNF-2B	0.009"	120.0 LBS

QA Wiring Diagram



Legal Disclaimer



ALL PRODUCTS, PRODUCT SPECIFICATIONS AND DATA ARE SUBJECT TO CHANGE WITHOUT NOTICE.

Sentran, LLC, Incorporated, its affiliates, agents, and employees, and all persons acting on its or their behalf (collectively, "Sentran, LLC"), disclaim any and all liability for any errors, inaccuracies or incompleteness contained herein or in any other disclosure relating to any product. The product specifications do not expand or otherwise modify Sentran, LLC's terms and conditions of purchase, including but not limited to, the warranty expressed therein. Sentran, LLC makes no warranty, representation or guarantee other than as set forth in the terms and conditions of purchase. To the maximum extent permitted by applicable law, Sentran, LLC, disclaims (i) any and all liability arising out of the application or use of any product, (ii) any and all liability, including without limitation special, consequential or incidental damages, and (iii) any and all implied warranties, including warranties of fitness for particular purpose, non-infringement and merchantability. Information provided in datasheets and/or specifications may vary from actual results in different applications and performance may vary over time. Statements regarding the suitability of products for certain types of applications are based on Sentran, LLC's knowledge of typical requirements that are often placed on Sentran, LLC products. It is the customer's responsibility to validate that a particular product with the properties described in the product specification is suitable for use in a particular application. No license, express, implied, or otherwise, to any intellectual property rights is granted by this document, or by any conduct of Sentran, LLC. The products shown herein are not designed for use in life-saving or life-sustaining applications unless otherwise expressly indicated. Customers using or selling Sentran, LLC products not expressly indicated for use in such applications do so entirely at their own risk and agree to fully indemnify Sentran, LLC for any damages arising or resulting from such use or sale. Please contact authorized Sentran, LLC personnel to obtain written terms and conditions regarding products designed for such applications. Product names and markings noted herein may be trademarks of their respective owners.



SENTRAN

SENTRAN, LLC

4355 LOWELL STREET
ONTARIO, CA 91761-2225, U.S.A.
T: 909-605-1544 F: 909-605-6305

www.sentranllc.com

Innovative Measurement Solutions

