



Pivot End Tension Link

UB Series

The UB Series is an extremely rugged, high performance tension link constructed of alloy tool steel or stainless steel. The UB Series is designed to accurately measure weight and force in capacities ranging from 0-3,000 lbs. to 0-400,000 lbs.

The UB Series is an extremely rugged, high performance tension link constructed of alloy tool steel or stainless steel. It is designed to accurately measure tension loads in rated capacities ranging from 0-3,000 to 0-400,000 lbs.. Proprietary, axial "gun-bore" gauging techniques produce the benefits of relatively compact size and excellent environmental sealing. This tension link is available as Hostile Environment Sealed (IP66-High Pressure Jets), Harsh Environment Sealed (IP67-Limited Immersion) and Hermetically Sealed (IP68-Continuous Immersion) by virtue of proprietary, multi-redundant barriers uniquely integrated to protect all internal components. This tension link has an integral MS connector with several mating connector/cable combinations available. The UB Series offers unique mounting capabilities to address application-specific requirements. The attributes of the UB Series make it ideal for crane/lift/winch loading, mooring line tension monitoring, guyline tensioning as well OEM requirements where a versatile, rugged solution is needed. The UB Series reliability produces exceptional performance for applications in aerospace, automotive, steel processing, off-shore, power generation, mining, material handling, wood/pulp/paper, petrochemical and similarly demanding applications.



APPLICATIONS

- Tension Measurements
- Crane, Lifting & Winch Systems
- Mooring Line Tension Measurements
- Guyline Tensioning

FEATURES

- Up to 400,000 lbs. Capacities
- Alloy or Stainless Steel Construction
- Application Versatility
- 0.25% Accuracy Class
- Excellent Overall Performance
- IP67 Environmental Sealing
- OEM and Custom Configurations
- Options and Accessories
- Two Year Warranty

For more information call **1-888-545-8988**

SENTRAN, LLC 4355 LOWELL STREET, ONTARIO, CA 91761, U.S.A.
888-545-8988 T: 909-605-1544 FAX: 909-605-6305 www.sentranllc.com

UB Series Specifications

Innovative Measurement Solutions



PERFORMANCE

Rated capacities ⁽¹⁾ (lbs.)	3K, 4K, 5K, 6K, 10K, 20K, 25K, 50K, 60K, 75K, 100K, 125K, 150K, 200K, 250K, 300K, 400K
Rated output (FSO)	2 mV/V
Output Tolerance	Nominal
Combined Error Band	≤ 0.5 % FSO
Non-Linearity	≤ 0.5 % FSO
Hysteresis	≤ 0.5 % FSO
Non-Repeatability	≤ 0.2 % FSO
Side Load Rejection Ratio	500:1
Zero balance	± 2 % FSO
Creep (20 minutes)	0.05 % of Load

⁽¹⁾ ("K" = thousand)

MECHANICAL

Material	Alloy Tool Steel (UB1) 17-4ph Stainless Steel (UB3)
Finish	Natural
Safe overload	Compression 150 % FSO Tension 150 % FSO Side Load 100% FSO
Ultimate overload	Compression 300% FSO Tension 300% FSO Side Load: 200% FSO
Deflection	See Dimensions Table
Weight	See Dimensions Table

ELECTRICAL

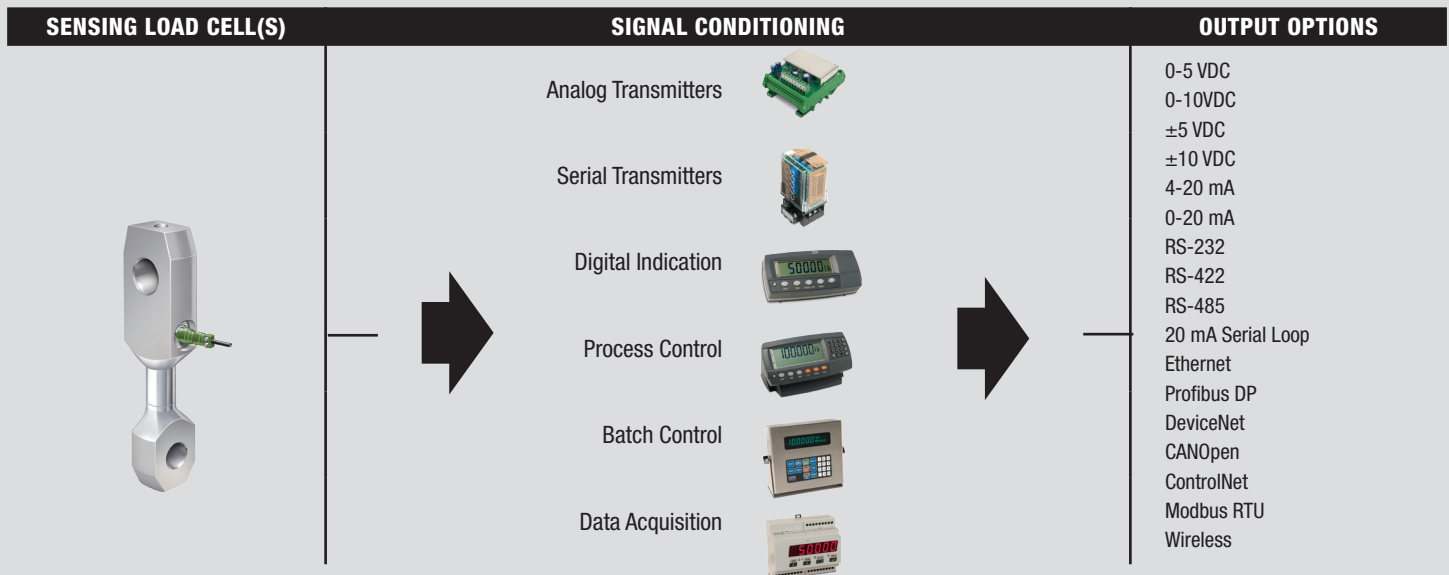
Input Impedance	350 (nominal)
Output Impedance	350 (nominal)
Insulation Resistance	>5000 Megohms @ 50VDC
Excitation Voltage	10 V AC/DC (15 V maximum)
Connector Pin Functions	+ Excitation (A) - Excitation (D) + (Optional) Remote Sense (E) - (Optional) Remote Sense (F) + Signal (B) - Signal (C) Shield (G)
Cable Color Code	+ Excitation (red) - Excitation (black) + Signal (green) - Signal (white) Shield (natural)
Cable Type	4-conductor, 22 AWG, Polyurethane Jacket, Tinned Copper Braid, Diameter: 0.220"
Cable Length	See Dimensions Table
Cable Termination	Finished Conductors
Cable Seal	Compression Gland Fitting

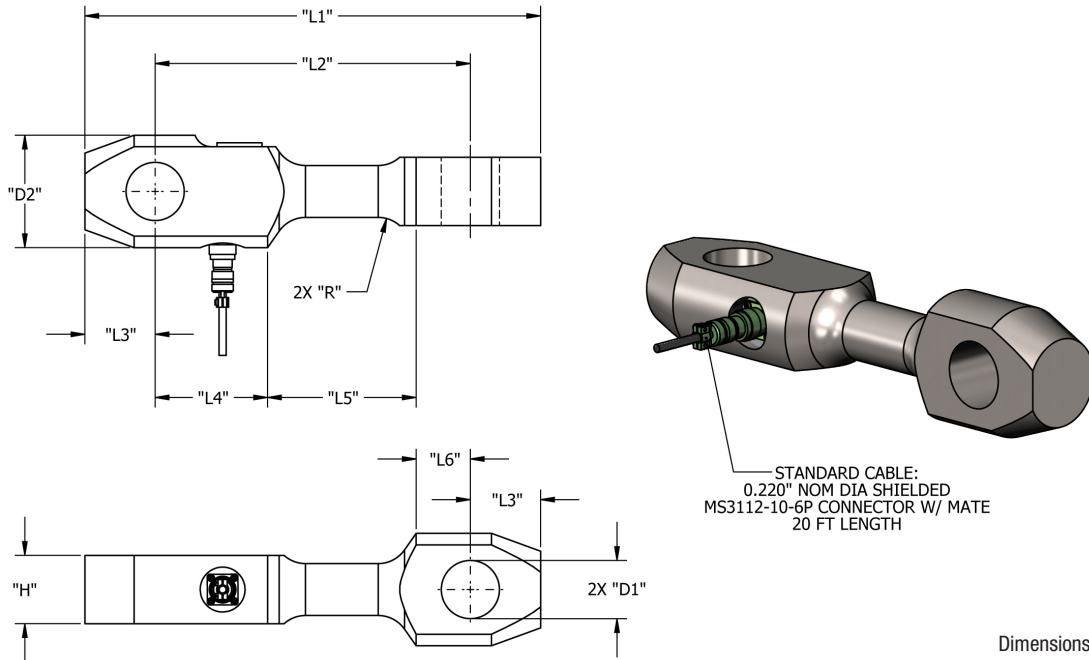
ENVIRONMENTAL

Temperature, Operating	-65 to +250 °F (-54 to +120°C)
Temperature, Compensated	15 to +115 °F (-9 to +46°C)
Temperature, Storage	-65 to +300 °F (-54 to +149°C)
Temperature Effects	Zero < 0.005% FSO/°F < 0.009% FSO/°C
Temperature Effects	Output < 0.008% of Rdg./°F < 0.014% Rdg./°C
Sealing	IP67; Multi-redundant; Limited Immersion Tolerance

The temperature ratings provided do not include the companion cable/connector assembly. If PUR or PVC cable is employed, the maximum operating temperature is 180°F (82°C)

UB Typical System Configuration

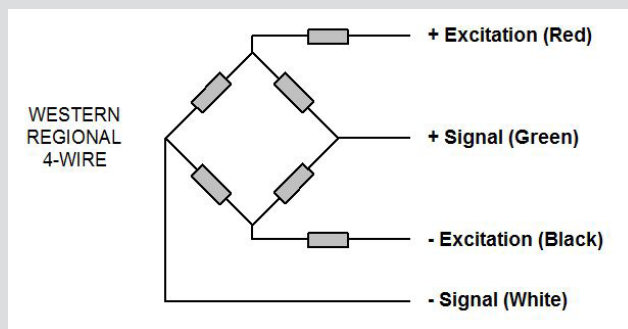




Dimensions in Inches

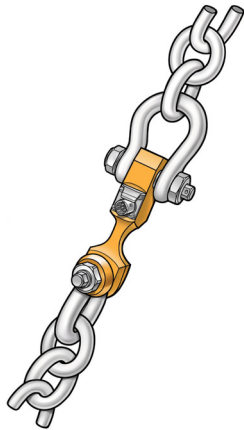
Capacity (LBS)	H1	L1	L2	L3	L4	L5	L6	DIMENSIONS (INCHES)					Deflect	Weight
								D1	D2	R	D1	D2		
3	1.44	7.00	5.25	0.88	2.56	2.31	0.36	0.625	2.00	0.50	0.005" NOM	1.3 LBS		
4	1.44	7.00	5.25	0.88	2.56	2.31	0.36	0.625	2.00	0.50	0.005" NOM	1.3 LBS		
5	1.44	7.00	5.25	0.88	2.63	2.25	0.36	0.625	2.00	0.50	0.005" NOM	1.3 LBS		
6	1.44	7.00	5.25	0.88	2.63	2.25	0.36	0.625	2.00	0.50	0.005" NOM	1.3 LBS		
10	1.44	9.25	6.75	1.25	3.06	2.63	1.06	1.000	2.00	0.50	0.005" NOM	2.0 LBS		
20	1.44	9.25	6.75	1.25	3.00	2.69	1.06	1.000	2.00	0.50	0.005" NOM	5.5 LBS		
25	1.44	9.25	6.75	1.25	2.94	2.75	1.06	1.000	2.00	0.50	0.005" NOM	5.5 LBS		
50	1.50	12.00	8.50	1.75	3.06	3.94	1.56	1.375	2.88	1.00	0.005" NOM	10.5 LBS		
60	1.50	12.00	8.50	1.75	3.06	3.88	1.56	1.375	2.88	1.00	0.005" NOM	10.7 LBS		
75	1.81	12.88	9.00	1.94	3.06	4.38	1.56	1.563	3.25	1.00	0.005" NOM	15.0 LBS		
100	2.13	14.19	9.81	2.19	3.50	4.63	1.69	1.813	3.50	1.00	0.005" NOM	19.2 LBS		
125	2.25	15.25	10.50	2.38	3.93	5.13	1.44	2.000	3.88	1.00	0.005" NOM	24.0 LBS		
150	2.50	15.88	10.75	2.56	3.38	5.31	1.06	2.250	4.13	1.00	0.005" NOM	30.0 LBS		
200	2.75	17.25	11.63	2.81	3.44	5.94	1.25	2.500	4.75	1.00	0.005" NOM	41.0 LBS		
250	3.00	18.88	12.75	3.06	4.50	5.75	1.50	2.750	5.25	1.00	0.005" NOM	54.0 LBS		
300	3.25	20.63	14.25	3.19	5.00	6.50	2.75	3.000	5.75	1.00	0.005" NOM	69.0 LBS		
400	4.75	23.75	15.25	4.25	4.50	7.00	3.75	3.250	6.38	1.50	0.005" NOM	107.0 LBS		

UB Wiring Diagram

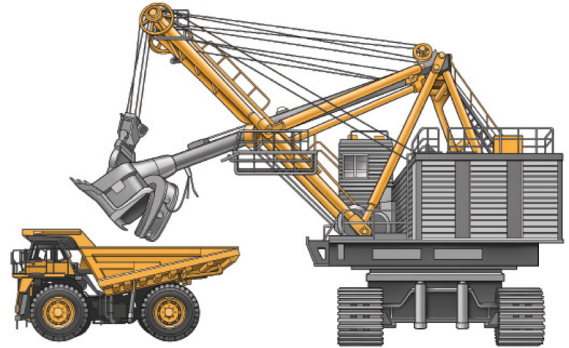




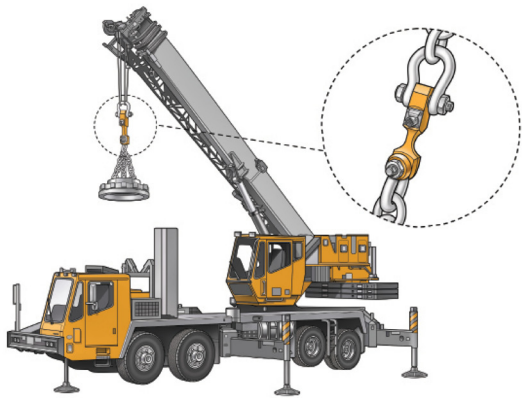
90° Through Hole



Excavating



Mobile Crane



Legal Disclaimer



ALL PRODUCTS, PRODUCT SPECIFICATIONS AND DATA ARE SUBJECT TO CHANGE WITHOUT NOTICE.

Sentran, LLC, Incorporated, its affiliates, agents, and employees, and all persons acting on its or their behalf (collectively, "Sentran, LLC"), disclaim any and all liability for any errors, inaccuracies or incompleteness contained herein or in any other disclosure relating to any product. The product specifications do not expand or otherwise modify Sentran, LLC's terms and conditions of purchase, including but not limited to, the warranty expressed therein. Sentran, LLC makes no warranty, representation or guarantee other than as set forth in the terms and conditions of purchase. To the maximum extent permitted by applicable law, Sentran, LLC, disclaims (i) any and all liability arising out of the application or use of any product, (ii) any and all liability, including without limitation special, consequential or incidental damages, and (iii) any and all implied warranties, including warranties of fitness for particular purpose, non-infringement and merchantability. Information provided in datasheets and/or specifications may vary from actual results in different applications and performance may vary over time. Statements regarding the suitability of products for certain types of applications are based on Sentran, LLC's knowledge of typical requirements that are often placed on Sentran, LLC products. It is the customer's responsibility to validate that a particular product with the properties described in the product specification is suitable for use in a particular application. No license, express, implied, or otherwise, to any intellectual property rights is granted by this document, or by any conduct of Sentran, LLC. The products shown herein are not designed for use in life-saving or life-sustaining applications unless otherwise expressly indicated. Customers using or selling Sentran, LLC products not expressly indicated for use in such applications do so entirely at their own risk and agree to fully indemnify Sentran, LLC for any damages arising or resulting from such use or sale. Please contact authorized Sentran, LLC personnel to obtain written terms and conditions regarding products designed for such applications. Product names and markings noted herein may be trademarks of their respective owners.



SENTRAN

SENTRAN, LLC

4355 LOWELL STREET
ONTARIO, CA 91761-2225, U.S.A.
T: 909-605-1544 F: 909-605-6305

www.sentranllc.com

Innovative Measurement Solutions

