



Digital Indicator

# KB Series

**The KB Series is a versatile, multi-featured digital indicator. It is designed as a companion instrument for virtually any bonded foil strain gage based transducer.**



The KB Series is a compact, multi-featured digital indicator. This very versatile indicator is designed as a companion instrument for load cells, force transducers, torque transducers, pressure transducers, weighing systems and virtually any bonded foil strain gage-based transducer. The durable aluminum enclosure is fitted with a universal mounting stand, providing a convenient means of securing the indicator to any flat surface and rotating it to achieve an optimum viewing angle. The easy-to-read display is a .6" bright green LED character display with status annunciators. The KB Series is DC powered (AC adapter included). The 5-key touchpad makes setup and operation of the KB Series quick and simple. Good display resolution, a programmable digital filter and a peak hold feature allows the user to readily configure the KB Series for a broad range of measurement tasks. The RS232 interface facilitates communication with a PC or serial printer. This port can also be used for connection to a remote display device. Options include an RS485 interface and an analog output that can be loop powered. The attributes of the KB Series make it an ideal choice for measurements in the laboratory, manufacturing, weighing situations, and for general measurements where a versatile, low cost precision indication solution is needed.



For more information call **1-888-545-8988**

SENTTRAN, LLC 4355 LOWELL STREET, ONTARIO, CA 91761, U.S.A.  
888-545-8988 T: 909-605-1544 FAX: 909-605-6305 [www.sentranllc.com](http://www.sentranllc.com)

## APPLICATIONS

- Laboratory Measurements
- Force, Torque or Pressure
- Process Weighing Applications
- Peak Value Capture
- O.E.M. Requirements

## FEATURES

- 50,000 Display Digits
- Universal Mounting Stand
- 0.02% Accuracy Class
- Digital Filtering
- RS 232 Serial Interface (RS485 Option)
- Peak Hold Option
- Analog Output Option
- IP65
- One Year Warranty



## OPERATOR INTERFACE

Display:	LED: .56i High; Bright Green; 7-Segment Digits; Full 6 Digit Numeric Display LCD: .8i High; 7-Segment Digits; 6 Digit Numeric Display plus sign
Status:	Annunciators: 7 (LED) - 8 (LCD); Indicate "Gross", "Net", "Tare" "Motion", "Zero", "lb" & "kg"
Keypad:	5-Key; Tactile Feedback
Display Resolution:	KB3: 50,000 dd (max.); KB3-C & KB2: 199,999
Display Increments:	1, 2, or 5; Selectable
Decimal Point:	Up To 6 Settings; Selectable
Auto Zero Tracking:	0 To 5 Graduations; Minimum 0.5 Graduations
Motion Detection:	1, 3, 5 or 10 Graduations
Digital Filter:	Keypad Programmable; Dynamic Response Conditioning
Calibration Method:	Digital; Keypad; System Zero and Span Values Stored in Battery-Backed Memory

## FUNCTION

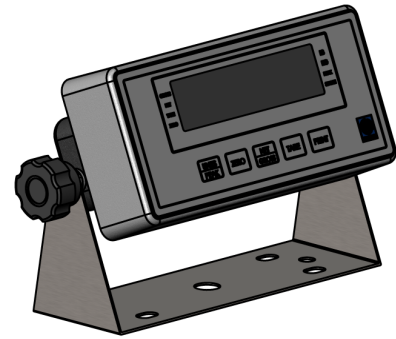
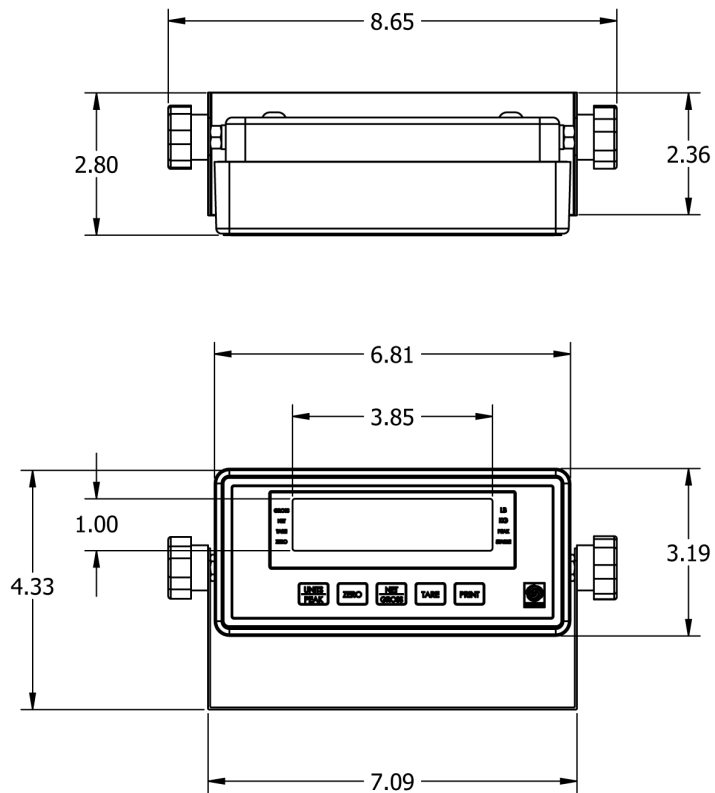
Linearity:	Better Than Or Equal To 0.02% Full Scale (FS)
Internal Resolution:	KB3: 18-Bit, 260,000 Grads; KB3-C 130,000 Grads; KB2 150,000 Grads
Measurement Rate:	KB3: 25 Updates Per Second; KB3-C & KB2: 8 Updates Per Second
Signal Sensitivity:	.4 mV Per Graduation (maximum)
Span Range @ Full Scale:	30 mV (maximum)
Excitation Voltage:	KB3: 10 VDC (Nominal); KB3-C & KB2: 5 VDC (Nominal)
Current Rating:	KB3: 200 mA (Nominal); 1-4 Summed 350 $\Omega$ Bridges KB3-C & KB2: 80 mA (Nominal); 1-4 Summed 350 $\Omega$ Bridges (add 30 mA/350 $\Omega$ Bridge)
Power:	KB3: 115 VAC $\pm$ 10% @ 50/60Hz (Incl. external 12 VDC/500 mA/15 Watts supply power) KB3-C & KB2: 6-Volt Rechargeable Lead Acid Battery; 20 hr Operation; 16 hr Recharge
Weight:	3 pounds (1.3 kg)
Warranty:	1 Year; Limited

## COMMUNICATIONS INTERFACE

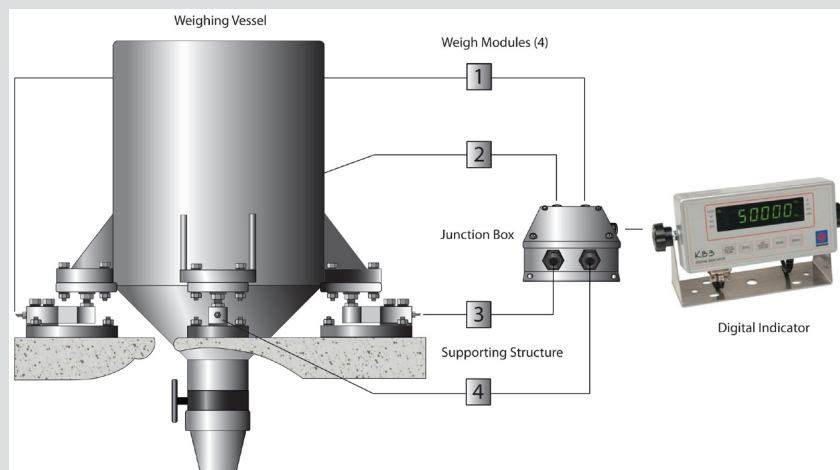
Serial Ports:	Port 1: RS-232; 1200 To 9600 Baud; Full Duplex
Data Format:	8 Bits; No Parity; 1 Stop Bit
(PC Compatible):	7 Bits; Odd Parity; 1 Stop Bit 7 Bits; Even Parity; 1 Stop Bit 7 Bits; No Parity; 2 Stop Bits
Compensated Temperature Range:	-10° To +40° C / 14° To 104° F

## ENVIRONMENTAL

Operating Temperature Range:	-18° To +50° C / 0 To 122° F
Storage Temperature Range:	-25° To +70° C / -13° To 158° F
Humidity Range:	KB3: ABS Enclosure: 0 To 90% RH; Non-condensing KB2: Stainless Steel Enclosure: 0 To 100% RH; Washdown-Ready
RFI Protection:	Multi-Layer PCB
Surge Voltage Protection:	Excitation And Signal Lines; AC Power Line
Enclosure Construction:	KB3 & KB3-C: ABS; High Impact Plastic; Universal Mounting Stand KB2: 304 Stainless Steel; Universal Mounting Stand; NEMA 4/4X
Enclosure Dimensions:	KB3: ABS: 3.2i tall X 6.75i wide X 2.38i deep (81 mm X 171 mm X 60 mm) KB3-C: ABS: 5.9i tall X 10.1i wide X 3.94i deep (150 mm X 257 mm X 100 mm) KB2: Stainless Steel: 5.51i tall X 8.86i wide X 2.83i deep (140 mm X 225 mm X 72 mm)



## Typical Weighing System



## Legal Disclaimer



ALL PRODUCTS, PRODUCT SPECIFICATIONS AND DATA ARE SUBJECT TO CHANGE WITHOUT NOTICE.

Sentran, LLC, Incorporated, its affiliates, agents, and employees, and all persons acting on its or their behalf (collectively, "Sentran, LLC"), disclaim any and all liability for any errors, inaccuracies or incompleteness contained herein or in any other disclosure relating to any product. The product specifications do not expand or otherwise modify Sentran, LLC's terms and conditions of purchase, including but not limited to, the warranty expressed therein. Sentran, LLC makes no warranty, representation or guarantee other than as set forth in the terms and conditions of purchase. To the maximum extent permitted by applicable law, Sentran, LLC, disclaims (i) any and all liability arising out of the application or use of any product, (ii) any and all liability, including without limitation special, consequential or incidental damages, and (iii) any and all implied warranties, including warranties of fitness for particular purpose, non-infringement and merchantability. Information provided in datasheets and/or specifications may vary from actual results in different applications and performance may vary over time. Statements regarding the suitability of products for certain types of applications are based on Sentran, LLC's knowledge of typical requirements that are often placed on Sentran, LLC products. It is the customer's responsibility to validate that a particular product with the properties described in the product specification is suitable for use in a particular application. No license, express, implied, or otherwise, to any intellectual property rights is granted by this document, or by any conduct of Sentran, LLC. The products shown herein are not designed for use in life-saving or life-sustaining applications unless otherwise expressly indicated. Customers using or selling Sentran, LLC products not expressly indicated for use in such applications do so entirely at their own risk and agree to fully indemnify Sentran, LLC for any damages arising or resulting from such use or sale. Please contact authorized Sentran, LLC personnel to obtain written terms and conditions regarding products designed for such applications.



### SENTRAN, LLC

4355 LOWELL STREET  
ONTARIO, CA 91761-2225, U.S.A.  
T: 909-605-1544 F: 909-605-6305

[www.sentranllc.com](http://www.sentranllc.com)

*Innovative Measurement Solutions*

