



Fixed Range Analog Transmitter

JD Series

The JD Series is designed as a dedicated, measurements grade analog transmitter featuring selectable output formats for voltage or current. The JD Series is compatible with single or multiple “summed” transducer applications.

Key Features

- Compatible With Single and “Summed” Transducer Applications
- Span Ranges of 0-1 to 0-200 mV/V
- Output Voltage Ranges of 0-1 to ± 10 VDC
- Output Current Ranges of 0-20 or 4-20 mA
- Drives up to 1000 Ohm Loop Resistance
- No Interaction Between Zero and Span

Other Features

- High Performance Measurements-Grade Power Supply and Precision Amplifier
- Array of Input Ranges Available
- Factory Pre-Set Output Range for Voltage or Current Formats and Excitation Voltage
- Field Fine Tune Adjustment of Span and Zero Offset Parameters
- DIN Rail or Panel Mount Using Industry Standard Plug-N-Play 11-Pin Socket
- Designed for Use in “Electrically Noisy” Industrial Environments
- Easy Setup and Calibration
- Compact Case Dimensions of Only 2.75” High X 2.38” Wide X 1.75” Deep
- NEMA 4/4X (IP66) and Explosion-Proof Housings are Available
- One Year Warranty



APPLICATIONS

- Strain Gage Measurement
 - › Load Cells
 - › Force Transducers
 - › Torque Transducers
 - › Pressure Transducers
- Single or “Summed” Transducers
- Interface To PLC/DCS
- Process Control
- Weighing Systems
- Level Monitoring and Control
- Cost Effective OEM/VAR Solutions

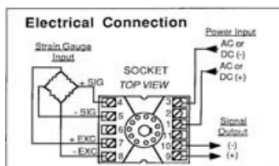
For more information call **1-888-545-8988**

SENTRAN, LLC 4355 LOWELL STREET, ONTARIO, CA 91761, U.S.A.
888-545-8988 T: 909-605-1544 FAX: 909-605-6305 www.sentranllc.com



OPERATOR INTERFACE

Status Annunciators:	2; Red LED for output; Green LED for input; Variable intensity.
Functional Test Pushbutton:	Fixed at 50% of span range; Imposes pre-adjusted signal on the output, independent of any input signal.
Calibration Method:	Fixed Range; Calibrated signal input; Fine tuning potentiometer; Non- interactive zero and span signals eliminate "crosstalk" influences.
Adjustments:	Integral potentiometers & switches; Zero offset fine



FUNCTIONAL PARAMETERS

Linearity:	Better Than Or Equal To 0.1% Full Scale (FS)
Measurement Response Rate:	70ms typical; 10ms available (Optional)
Span Range @ Full Scale:	Factory set; Select 0 To 1 mV/V (minimum); 0 To 200 mV/V (maximum)
Zero Offset:	Fine: 0-10%; Coarse: Factory set pre-load offset available
Bridge Excitation Voltage:	Factory adjustable: 4-10 VDC; Field adjustable: 10% of Factory setting
Excitation Current Rating:	30 mA maximum
Excitation Stability:	.005%/°F (.01%/°C)
Low Pass Filter:	20 Hz; Other settings are factory adjustable
Common Mode Rejection:	100dB (minimum)
Input Impedance:	200K (typical)
Power (Standard):	115 VAC $\pm 10\%$ @ 50/60Hz; 2.5W (maximum)
Power (Options):	230 VAC $\pm 10\%$ @ 50/60Hz; 2.5W (maximum) 12 VDC $\pm 5\%$ 125 mA maximum; or 12 VDC $\pm 10\%$ 2.5 W maximum

ENVIRONMENTAL

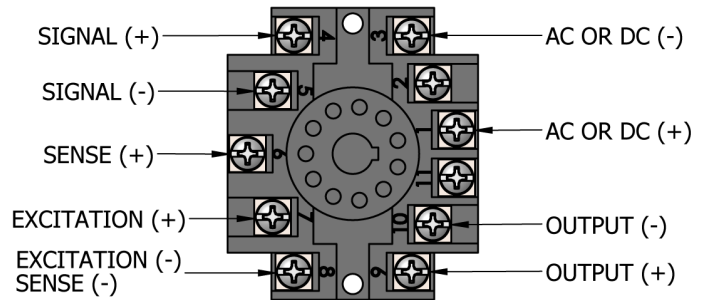
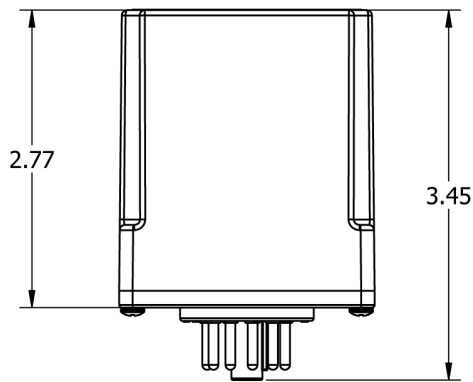
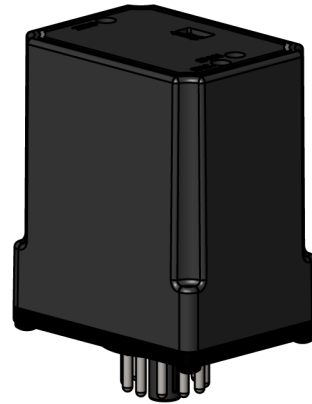
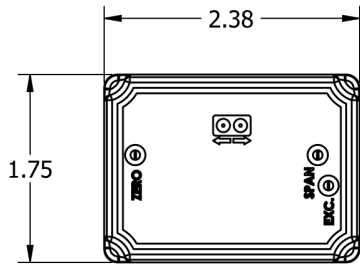
Operating Temperature Range:	-10° To +60 °C / 14° F To 140°F
Storage Temperature Range:	-20° To +70° C / -4° F To 158° F
Temperature Stability:	Better Than 0.02% of Span/°C
Humidity Range:	0 To 95% RH; Non-condensing
Enclosure Construction:	High impact polycarbonate; 11-pin plug base
Enclosure Dimensions:	2.75" high X 2.38" wide X 1.75" deep
Weight:	> 1 lbs. (0.5 kg)
Warranty:	One year; Limited

OUTPUT

Output Ranges:	Voltage: 0-1, 0-5, 1-5, 0-10, ± 5 or ± 10 VDC Current: 0-20 mA or 4-20 mA Drives up to 1000 ohm load resistance
Output Capability:	Voltage: ± 10 VDC @ ± 10 mA Current: 25 mADC; 12 V compliance

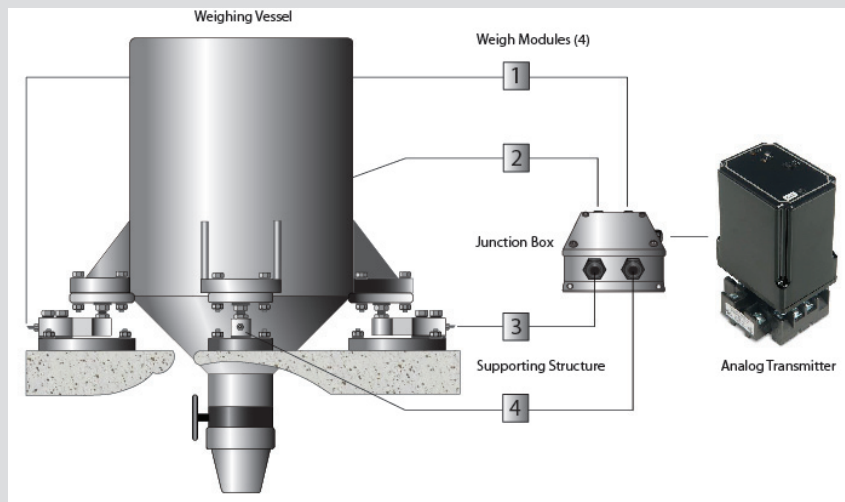
OPTIONS

Relay Modules:	Setpoint adjustment 0 to 100% of Span; Deadband adjustment 1 to 100% of Span; Single or double relay modules; 7A contacts @ 240 VAC (resistive load); 3.5 A contacts @ 240 VAC (inductive load).
Other Options:	11-pin sockets, DIN or surface mount; Aluminum DIN rail; NEMA 4/4X enclosures; Explosion-proof enclosures ; DC power.



JD1-A001 CONNECTION SOCKET

Typical Weighing System



Legal Disclaimer



ALL PRODUCTS, PRODUCT SPECIFICATIONS AND DATA ARE SUBJECT TO CHANGE WITHOUT NOTICE.

Sentran, LLC, Incorporated, its affiliates, agents, and employees, and all persons acting on its or their behalf (collectively, "Sentran, LLC"), disclaim any and all liability for any errors, inaccuracies or incompleteness contained herein or in any other disclosure relating to any product. The product specifications do not expand or otherwise modify Sentran, LLC's terms and conditions of purchase, including but not limited to, the warranty expressed therein. Sentran, LLC makes no warranty, representation or guarantee other than as set forth in the terms and conditions of purchase. To the maximum extent permitted by applicable law, Sentran, LLC, disclaims (i) any and all liability arising out of the application or use of any product, (ii) any and all liability, including without limitation special, consequential or incidental damages, and (iii) any and all implied warranties, including warranties of fitness for particular purpose, non-infringement and merchantability. Information provided in datasheets and/or specifications may vary from actual results in different applications and performance may vary over time. Statements regarding the suitability of products for certain types of applications are based on Sentran, LLC's knowledge of typical requirements that are often placed on Sentran, LLC products. It is the customer's responsibility to validate that a particular product with the properties described in the product specification is suitable for use in a particular application. No license, express, implied, or otherwise, to any intellectual property rights is granted by this document, or by any conduct of Sentran, LLC. The products shown herein are not designed for use in life-saving or life-sustaining applications unless otherwise expressly indicated. Customers using or selling Sentran, LLC products not expressly indicated for use in such applications do so entirely at their own risk and agree to fully indemnify Sentran, LLC for any damages arising or resulting from such use or sale. Please contact authorized Sentran, LLC personnel to obtain written terms and conditions regarding products designed for such applications.



SENTRAN, LLC
4355 LOWELL STREET
ONTARIO, CA 91761-2225, U.S.A.
T: 909-605-1544 F: 909-605-6305
www.sentranllc.com

Innovative Measurement Solutions

