



## Analog Setpoint Module

# JE Series

**The JE Series is available as a single or dual analog setpoint module with field adjustable excitation voltage, setpoints and deadband range. The JE Series is compatible with single and multiple transducer applications.**

### Key Features

- JE is a Single Setpoint Module
- JE-B is a Dual Setpoint Module
- 0-1 mV/V to 0-200 mV/V Input Ranges Available
- Field Adjustable Excitation Voltage From 4 to 12 VDC
- Field Adjustable Setpoint Range of 0 to 100% Of Span
- Field Adjustable Deadband Range of 0.25% to 100% Of Span
- SPST and SPDT 5 Amp Relay
- Slide Switch Selection of High Setpoint or Low Setpoint Operation
- AC or DC Power Options

### Other Features

- Integral Measurements-Grade Power Supply and Precision Amplifier
- Compatible With Single and Multiple Transducer Applications
- Red/Green LED Indicates Relay Status
- DIN Rail or Panel Mount Using Industry Standard 11-Pin Socket
- Designed for Use in "Electrically Noisy" Industrial Environments
- Easy Setup and Adjustment
- Compact Case Dimensions of Only 2.91" High X 2.38" Wide X 1.75" Deep
- NEMA 4/4X (IP66) and Explosion-Proof Housings are Available
- One Year Warranty



### APPLICATIONS

- Interface To PLC/DCS
- Process Control
- Weighing Systems
- Level Monitoring and Control
- Cost Effective OEM/VAR Solutions
- Single or "Summed" Transducers
- Strain Gage Measurement
  - › Load Cells
  - › Force Transducers
  - › Torque Transducers
  - › Pressure Transducers

For more information call **1-888-545-8988**

SENTRAN, LLC 4355 LOWELL STREET, ONTARIO, CA 91761, U.S.A.

888-545-8988 T: 909-605-1544 FAX: 909-605-6305 [www.sentranllc.com](http://www.sentranllc.com)





## OPERATOR INTERFACE

Status Annunciators:	Red-To-Green LED for relay status indication
Adjustments:	Integral potentiometers & switches; Setpoint and Deadband tuning; Setpoint Hi/Lo selection switch; Excitation voltage adjustment

## FUNCTIONAL PARAMETERS

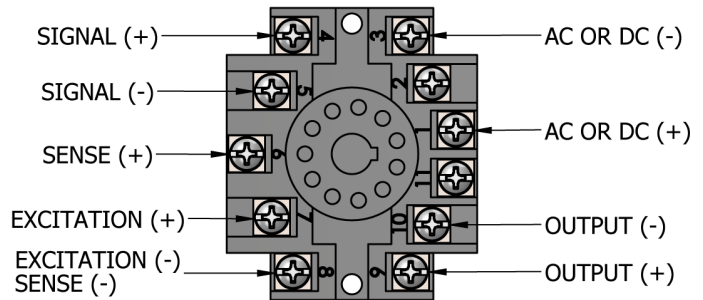
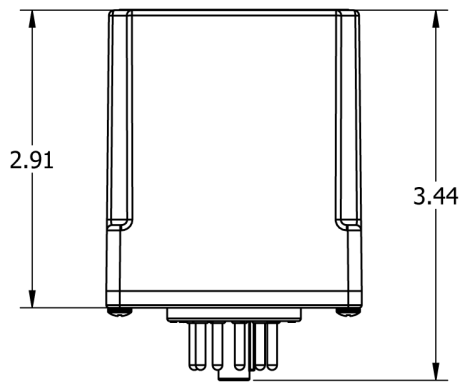
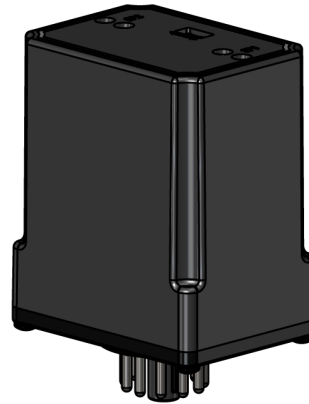
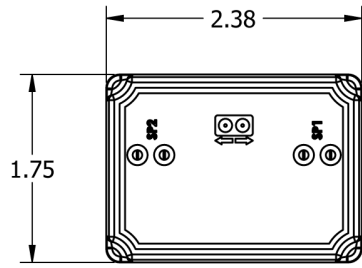
Amplifier Linearity:	Better Than Or Equal To 0.1% Full Scale (FS)
Measurement Response Rate:	100ms typical
Span Range @ Full Scale:	Factory set; Select 0 To .4 mV/V (minimum); 0 To 1 V/V (maximum)
Setpoint Range:	0-100% of Span Range; 12-Turn potentiometer
Deadband Range:	0.25%-100% of Span Range; 12-Turn potentiometer
Relay Action:	Failsafe Mode (Standard); Relay normally energized; De-energizes at setpoint or with loss of power; Reverse action available (Option)
Bridge Excitation Voltage:	Field adjustable: 4-12 VDC
Excitation Current Rating:	40 mA maximum load
Excitation Stability:	.005%/°F (.01%/°C)
Common Mode Rejection:	100dB (minimum)
Input Impedance:	200Kohms (minimum)
Power (Standard):	115 VAC ±10% @ 50/60Hz; 2.5W (maximum)
Power (Options):	230 VAC ±10% @ 50/60Hz; 2.5W (maximum) 12 VDC ± 5% 125 mA maximum; or 12 VDC ± 10% 2.5 W maximum

## ENVIRONMENTAL

Operating Temperature Range:	-10° To +60 °C / 14° F To 140°F
Storage Temperature Range:	-20° To +70° C / -4° F To 158° F
Temperature Stability:	Better Than 0.02% of Span/°C
Humidity Range:	0 To 95% RH; Non-condensing
Enclosure Construction:	High impact polycarbonate; 11-pin plug base
Enclosure Dimensions:	2.75" high X 2.38" wide X 1.75" deep
Weight:	> 1 lbs. (0.5 kg)
Warranty:	One year; Limited

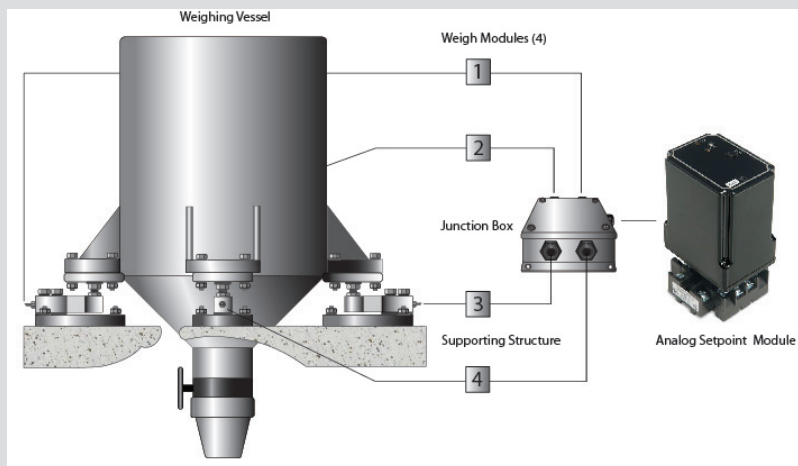
## OPTIONS

Mounting:	11-pin sockets, DIN or surface mount; Aluminum DIN rail; Plastic Snap Track; NEMA 4/4X enclosures; Explosion-proof enclosures ; D C power
-----------	---



JE1-A001 CONNECTION SOCKET

## Typical Weighing System



## Legal Disclaimer



ALL PRODUCTS, PRODUCT SPECIFICATIONS AND DATA ARE SUBJECT TO CHANGE WITHOUT NOTICE.

Sentran, LLC, Incorporated, its affiliates, agents, and employees, and all persons acting on its or their behalf (collectively, "Sentran, LLC"), disclaim any and all liability for any errors, inaccuracies or incompleteness contained herein or in any other disclosure relating to any product. The product specifications do not expand or otherwise modify Sentran, LLC's terms and conditions of purchase, including but not limited to, the warranty expressed therein. Sentran, LLC makes no warranty, representation or guarantee other than as set forth in the terms and conditions of purchase. To the maximum extent permitted by applicable law, Sentran, LLC, disclaims (i) any and all liability arising out of the application or use of any product, (ii) any and all liability, including without limitation special, consequential or incidental damages, and (iii) any and all implied warranties, including warranties of fitness for particular purpose, non-infringement and merchantability. Information provided in datasheets and/or specifications may vary from actual results in different applications and performance may vary over time. Statements regarding the suitability of products for certain types of applications are based on Sentran, LLC's knowledge of typical requirements that are often placed on Sentran, LLC products. It is the customer's responsibility to validate that a particular product with the properties described in the product specification is suitable for use in a particular application. No license, express, implied, or otherwise, to any intellectual property rights is granted by this document, or by any conduct of Sentran, LLC. The products shown herein are not designed for use in life-saving or life-sustaining applications unless otherwise expressly indicated. Customers using or selling Sentran, LLC products not expressly indicated for use in such applications do so entirely at their own risk and agree to fully indemnify Sentran, LLC for any damages arising or resulting from such use or sale. Please contact authorized Sentran, LLC personnel to obtain written terms and conditions regarding products designed for such applications.



**SENTRAN**

DS-JE.00-147

### **SENTRAN, LLC**

4355 LOWELL STREET  
ONTARIO, CA 91761-2225, U.S.A.  
T: 909-605-1544 F: 909-605-6305

[www.sentranllc.com](http://www.sentranllc.com)

---

*Innovative Measurement Solutions*

---

