



Intrinsically Safe Analog Transmitter

JG Series

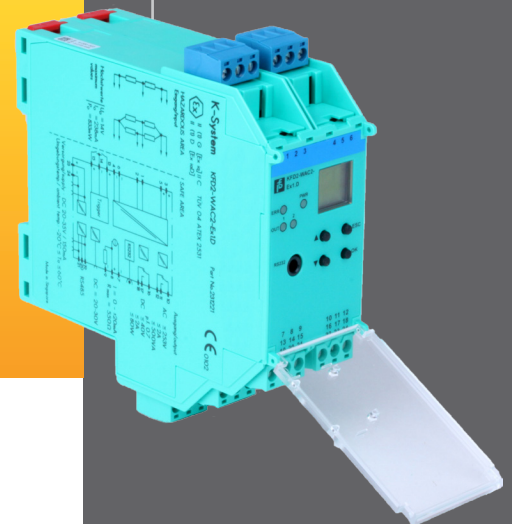
The JG Series is a multi-function, analog transmitter designed specifically for applications in hazardous environments. The JG Series powers up to four 350 ohm transducers and drives a 500 ohm loop resistance.

Key Features

- Input Range: ± 100 mV
- Output Format: 4-20mA; 0-20 mA or 0-10 VDC (Bi-polar)
- Tare Range: 0-500%
- VDC Bridge Excitation: 2-5 VDC
- Powers up to Four 350 Ohm Bridge Transducers
- Drives up to 500 Ohm Loop Resistance
- RS 485 Interface

Other Features

- Removable Terminal Connectors
- 2 Relay Outputs (Min/Max - Net/Gross)
- CE Conformity
- DIN Rail Mount
- Available Power Rail
- Easy Setup And Calibration via Keypad/Display
- Status LED's
- Sensor Barn Out Monitoring
- One Year Warranty



APPLICATIONS

- Hazardous Environments/Intrinsically Safe
- Process Control
- Weighing Systems
- Level Monitoring and Control
- Strain Gage Measurement
 - › Load Cells
 - › Force Transducers
 - › Torque Transducers
 - › Pressure Transducers
- Interface To PLC/DCS
- Cost Effective OEM/VAR Solutions



For more information call **1-888-545-8988**

SENTRAN, LLC 4355 LOWELL STREET, ONTARIO, CA 91761, U.S.A.
888-545-8988 T: 909-605-1544 FAX: 909-605-6305 www.sentrانllc.com



OPERATOR INTERFACE

Status Annunciators:	1; Red LED for power
Calibration Method:	Two-Point; Zero and Span; Fine tuning potentiometers
Range Selection:	Dip switches; 10 mV, 20 mV or 30 mV
Wiring Connections:	9-Position screw terminal strip for Power, Load cell I/O and Analog output

INPUTS/OUTPUTS

Input Compatibility:	Strain gage; Up to (4) four 350 ohm full bridge transducers; Up to (8) eight 700 ohm full bridge transducers; Peripheral summing interface required for more than (1) transducer input (Refer to SENTRAN N Series Summing/ Junction Boxes.)
Output Formats (Jumper Selectable):	Voltage: 0-10; 2K0hm minimum load Current: 4-20 mA; 500 Ohm maximum load

FUNCTIONAL PARAMETERS

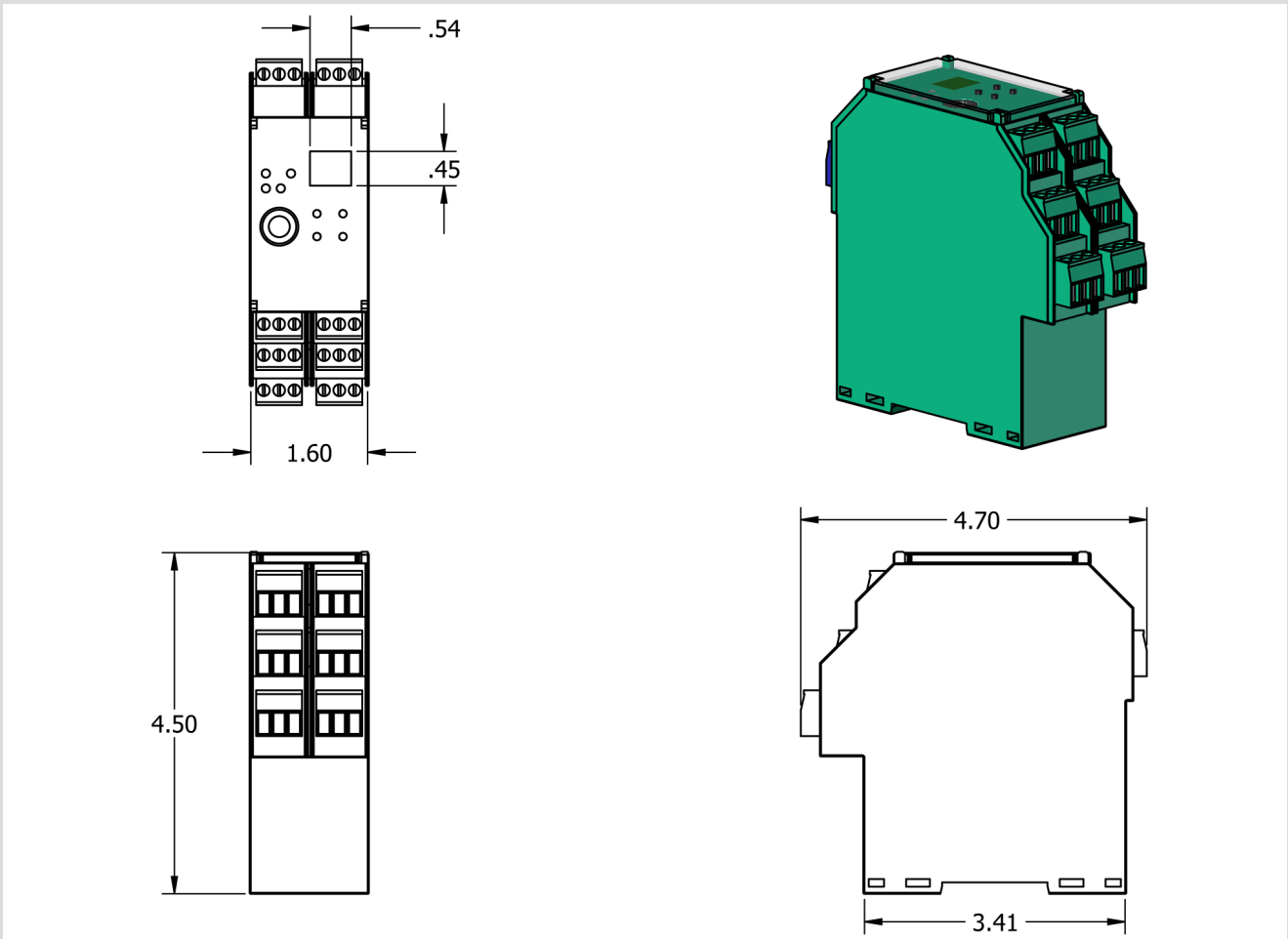
Linearity:	Better Than Or Equal To 0.2% Full Scale (FS)
Measurement Response Rate:	70ms typical
Span Range @ Full Scale:	Three ranges: 10 mV, 20 mV or 30 mV; Dip switch selectable
Span Adjustment:	±5% via 20-turn potentiometer
Zero Offset:	10%; +3% to -7% via 20-turn potentiometer
Bridge Excitation Voltage:	2-5 VDC
Excitation Current Rating:	200 mA; (4) 350 ohm bridge transducers
Remote Sensing:	Six wire compatible
Low Pass Filter:	Time Constant Adjustable via trimming potentiometer; 5-100 ms
Common Mode Rejection:	100dB (minimum)
Power (Standard):	24 VDC ± 15%
Power (Optional):	Model KF3 DIN rail mount supply; 115/230 VAC ±10% (50/60Hz) to 24 VDC
Power Consumption:	5 Watts

ENVIRONMENTAL

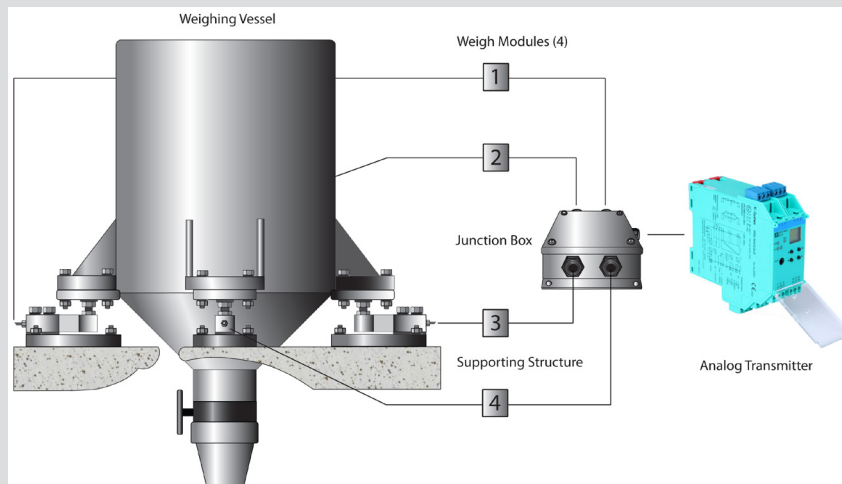
Compensated Temperature Range:	-10° To +40 °C / 14° F To 104°F
Operating Temperature Range:	-10° To +50 °C / 14° F To 122°F
Storage Temperature Range:	-20° To +55° C / -4° F To 131° F
Temperature Stability:	Better Than 20ppm/°C
Humidity Range:	0 To 85% RH; Non-condensing
CE Conformity:	EN50081-1 E EN 50082-2 EMC; EN61010-1 LVD
Construction:	Thermal-form ABS plastic chassis; Metal-jacketed signal processing section
Dimensions:	3.0" (76mm) high X 3.5" (90mm) wide X 2.5" (65mm) deep
Weight:	4.25 ounces (0.11kg)
Warranty:	One year; Limited

OPTIONS

Power Supply Module:	Model KF3; 115/230 VAC ±10% (50/60Hz) to 24 VDC; DIN rail mountable
Four Channel Transmitter:	Model KJ3-B; Supports (4) four discrete load cell inputs
Enclosures:	NEMA 4/4X; Reinforced Fiberglass, Powder-coated steel and stainless steel; Explosion-proof



Typical Weighing System



Legal Disclaimer



ALL PRODUCTS, PRODUCT SPECIFICATIONS AND DATA ARE SUBJECT TO CHANGE WITHOUT NOTICE.

Sentran, LLC, Incorporated, its affiliates, agents, and employees, and all persons acting on its or their behalf (collectively, "Sentran, LLC"), disclaim any and all liability for any errors, inaccuracies or incompleteness contained herein or in any other disclosure relating to any product. The product specifications do not expand or otherwise modify Sentran, LLC's terms and conditions of purchase, including but not limited to, the warranty expressed therein. Sentran, LLC makes no warranty, representation or guarantee other than as set forth in the terms and conditions of purchase. To the maximum extent permitted by applicable law, Sentran, LLC, disclaims (i) any and all liability arising out of the application or use of any product, (ii) any and all liability, including without limitation special, consequential or incidental damages, and (iii) any and all implied warranties, including warranties of fitness for particular purpose, non-infringement and merchantability. Information provided in datasheets and/or specifications may vary from actual results in different applications and performance may vary over time. Statements regarding the suitability of products for certain types of applications are based on Sentran, LLC's knowledge of typical requirements that are often placed on Sentran, LLC products. It is the customer's responsibility to validate that a particular product with the properties described in the product specification is suitable for use in a particular application. No license, express, implied, or otherwise, to any intellectual property rights is granted by this document, or by any conduct of Sentran, LLC. The products shown herein are not designed for use in life-saving or life-sustaining applications unless otherwise expressly indicated. Customers using or selling Sentran, LLC products not expressly indicated for use in such applications do so entirely at their own risk and agree to fully indemnify Sentran, LLC for any damages arising or resulting from such use or sale. Please contact authorized Sentran, LLC personnel to obtain written terms and conditions regarding products designed for such applications.



SENTRAN, LLC

4355 LOWELL STREET
ONTARIO, CA 91761-2225, U.S.A.
T: 909-605-1544 F: 909-605-6305

www.sentranllc.com

Innovative Measurement Solutions

