



SENTRAN

Analog Transmitter

JF3 Series

The JF3 Series is a efficient, compact analog transmitter with selectable ranges and adjustment capabilities. The JF3 Series is DIN rail mountable and powers up to four 350 ohm transducers.



Key Features

- Selectable Input Ranges of 0-1 mV/V, 0-2 mV/V, 0-3 mV/V
- Pre-Set Output Formats Of 4-20 mA Or 0-10 VDC (Bi-polar)
- Field Fine Tune Adjustment of Span and Zero Offset Parameters
- 10 VDC Bridge Excitation
- Powers up to Four 350 Ohm Bridge Transducers

Other Features

- High Performance Precision Amplifier
- Adjustable Analog Filter for Optimum Signal Stability (0-10 VDC only)
- CE Conformity
- DIN Rail Mount
- Designed for Use in "Electrically Noisy" Industrial Environments
- Easy Setup and Calibration
- Power LED
- Optional Din Rail Mount Power Supply (Model KF3)
- One Year Warranty

APPLICATIONS

- 24 VDC Power Input
- 4-20 mA or 0-10 VDC Outputs
- Selectable 1, 2, or 3 mV/V Input
- Easy Screw Terminal Connection
- Powers Up to Four 350 ohm Transducers
- Fine Tune Adjustment of Zero and Span
- 0.02% Linearity
- 10 VDC Bridge Excitation



Optional
KF3 Power Supply



For more information call **1-888-545-8988**

SENTRAN, LLC 4355 LOWELL STREET, ONTARIO, CA 91761, U.S.A.
888-545-8988 T: 909-605-1544 FAX: 909-605-6305 www.sentranllc.com



POWER

Power Supply:	24 VDC $\pm 15\%$
Load Cell Excitation:	10 VDC
Load Current:	120mA (4 Load cells x 350 ohms)
Power Consumption:	5 Watts

AMPLIFIER

Input Signal:	Selectable, 1.0 mV/V, 2.0mV/V, 3.0mV/V
Output Signal:	Selectable (Via Jumpers) Voltage: ± 10 VDC (Bipolar); 10 Kohm min load, (JF3-002) Current: 4-20 mA, 300 ohm max load, (JF3-001)
Response Time to Analog Filter	Voltage: Adjustable. 5-250 ms/ Current: Fixed. 5 ms
Zero Adjustment:	18-turn trim-pot (-8% / +3% FS)
Span Adjustment:	18-turn trim-pot ($\pm 5\%$ of FS)
Linearity:	$\pm 0.02\%$ of Full Scale
Analog Filter:	Adjustable, 270 deg turn trim-pot

ENVIRONMENTAL

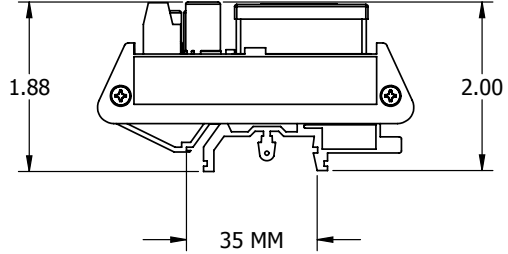
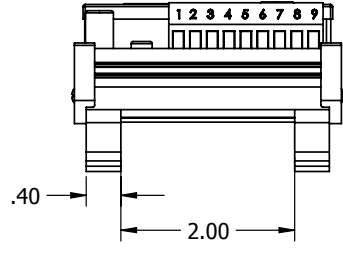
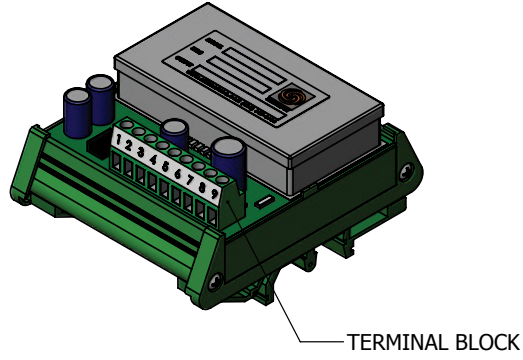
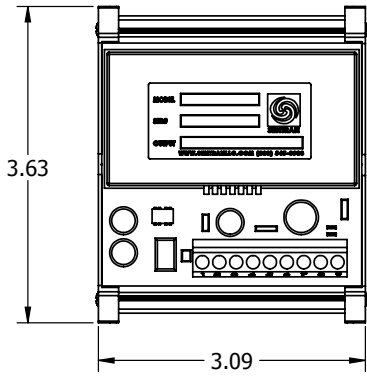
Compensated Temperature:	Range: +14 to +104 deg F (-10 to +40 deg C)
Operating Temperature:	Range: -4 to +122 deg F (-20 to +50 deg C)
Thermal Stability:	0.005% FS/deg C
Relative Humidity:	85% non-condensing

ENCLOSURE

Mounting:	Din-Rail Mount
Material:	ABS Plastic
Weight:	5 Ounces
Wiring Connections:	Terminal Block, pitch 0.2"

WIRING CODE

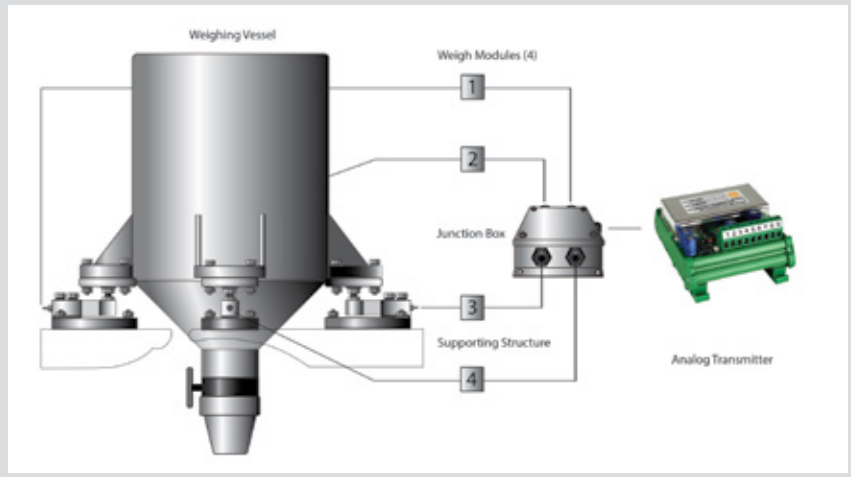
See Dimensions Page



DIMENSIONS IN INCHES

TERMINAL BLOCK								
1	2	3	4	5	6	7	8	9
+24 VDC (Supply)	-24 VDC (Supply)	+ EXC	- EXC	- SIG	+ SIG	+ Analog Out (mA)	- Analog Out	- Analog Out (VDC)

Typical Weighing System



Legal Disclaimer



ALL PRODUCTS, PRODUCT SPECIFICATIONS AND DATA ARE SUBJECT TO CHANGE WITHOUT NOTICE.

Sentran, LLC, Incorporated, its affiliates, agents, and employees, and all persons acting on its or their behalf (collectively, "Sentran, LLC"), disclaim any and all liability for any errors, inaccuracies or incompleteness contained herein or in any other disclosure relating to any product. The product specifications do not expand or otherwise modify Sentran, LLC's terms and conditions of purchase, including but not limited to, the warranty expressed therein. Sentran, LLC makes no warranty, representation or guarantee other than as set forth in the terms and conditions of purchase. To the maximum extent permitted by applicable law, Sentran, LLC, disclaims (i) any and all liability arising out of the application or use of any product, (ii) any and all liability, including without limitation special, consequential or incidental damages, and (iii) any and all implied warranties, including warranties of fitness for particular purpose, non-infringement and merchantability. Information provided in datasheets and/or specifications may vary from actual results in different applications and performance may vary over time. Statements regarding the suitability of products for certain types of applications are based on Sentran, LLC's knowledge of typical requirements that are often placed on Sentran, LLC products. It is the customer's responsibility to validate that a particular product with the properties described in the product specification is suitable for use in a particular application. No license, express, implied, or otherwise, to any intellectual property rights is granted by this document, or by any conduct of Sentran, LLC. The products shown herein are not designed for use in life-saving or life-sustaining applications unless otherwise expressly indicated. Customers using or selling Sentran, LLC products not expressly indicated for use in such applications do so entirely at their own risk and agree to fully indemnify Sentran, LLC for any damages arising or resulting from such use or sale. Please contact authorized Sentran, LLC personnel to obtain written terms and conditions regarding products designed for such applications.



SENTRAN, LLC

4355 LOWELL STREET
ONTARIO, CA 91761-2225, U.S.A.
T: 909-605-1544 F: 909-605-6305

www.sentranllc.com

Innovative Measurement Solutions
